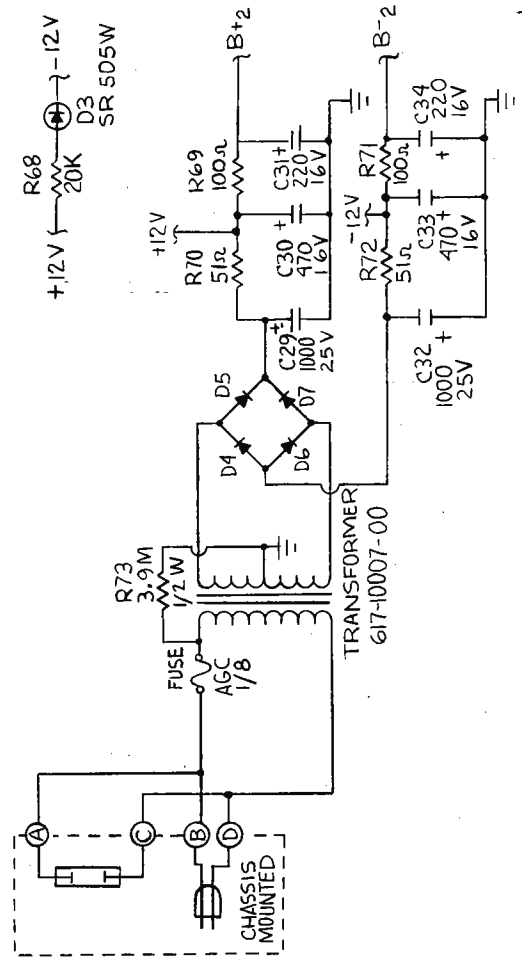
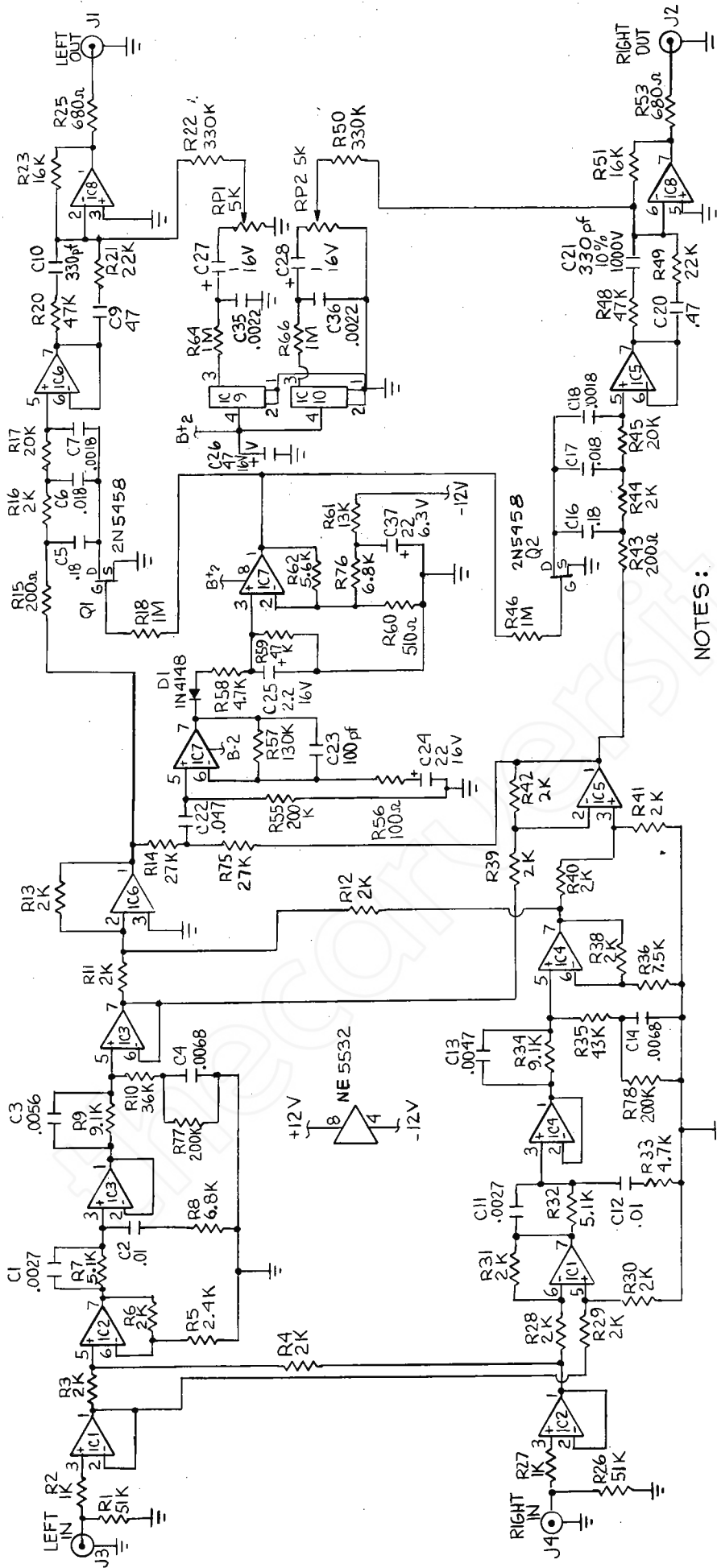


thecarversite.com

This manual is either an original scan from tech's who worked at Carver corp, donated by forum members, or both. These manuals are NOT intended for re-sale. If you purchased a 'Carver Manuals' disc on ebay or another auction site, and it has this material on it, you were ripped off!

Please report any resale of this material to us at thecarversite.com

thecarversite.com

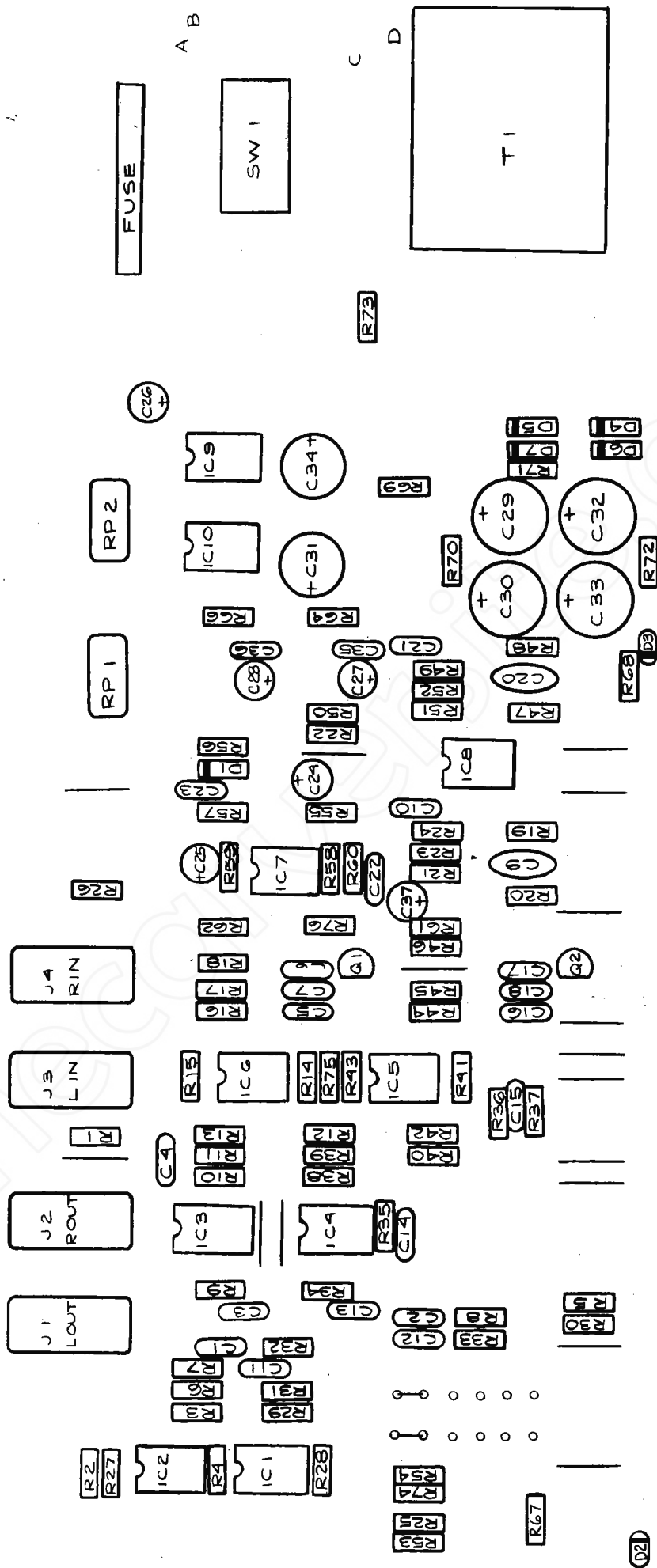


NOTES:

- UNLESS OTHERWISE SPECIFIED:
1. IC - 1, 2, 3, 4, 5, 6 AND 8 ARE NE 5532.
 2. IC - 7 = TL0 72.
 3. IC - 9 AND 10 = 5537M OR 52688.
 4. CAPACITANCE VALUES ARE IN MICROFARADS.
 5. RESISTORS ARE 1/4 WATT.
 6. ALL DIODES ARE IN4004.

ECC 346 "A"
 ECC 347 "B"
 ECC 349 "C"
 ECC 362 "D"
 ECC 379 "E"

CONTRACT NO.		CARVER CORPORATION	
DATE	APPROVALS	DATE	APPROVALS
5.4.84	[Signature]	5.4.84	[Signature]
CHECKED	BY	SIZE	FRGM NO.
[Signature]	[Signature]	5.2.84	
BRAND	SCALE	DWG. NO.	REV.
		00276-00	F
		SHEET 1 OF 1	



DIGITAL TIME LENS
00276